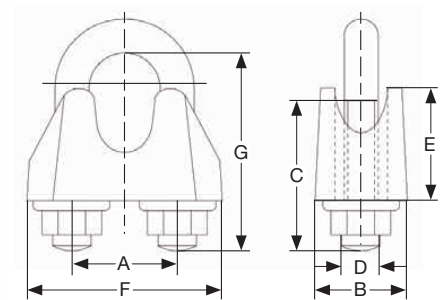




# Wire Rope Grips

Grips are electro galvanized

3 mm - 40 mm are commercial type to DIN 741



Rope diameter	A	B	C	D	E	F	G	Weight per 100
mm	mm	mm	mm	mm	mm	mm	mm	kg
3	9	10	12	4	10	21	16	1,4
5	11	11	13	5	10	23	19	1,5
6,5	13	12	15	5	11	26	23	2,1
8	16	14	19	6	15	30	28	4,1
10	19	18	22	8	17	34	34	6,8
13	24	23	30	10	21	42	45	13
16	29	26	33	12	26	50	51	21
19	32	29	38	12	30	54	63	28
22	37	33	44	14	34	61	71	40
26	41	35	45	14	37	65	81	44
30	48	37	50	16	43	74	94	66
34	52	42	55	16	50	80	104	85
40	58	45	60	16	55	88	124	104