



6.000 KN - One Column Swaging Machine

This swaging machine with its 6.000 KN pressing capacity is capable of pressing:

- ZEN[®] 34 (Form A, EN 13411-3), ZEN[®] 38 in Multi-bite
- Flemish Eye 38 (1 ½")



Hydraulic Press 6.000 KN

Technical Data

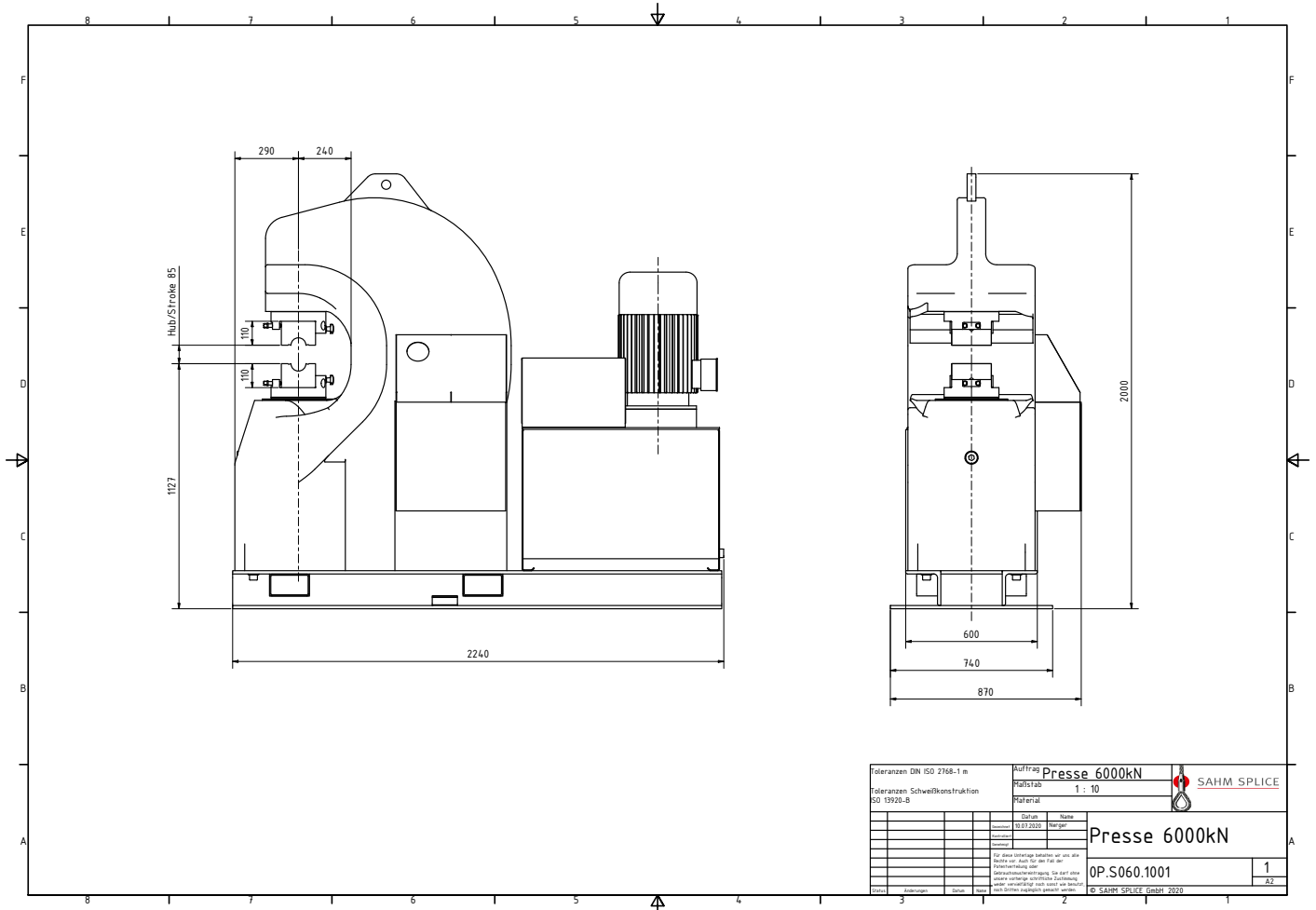
Max. pressure capacity	6.000 KN
Max. piston stroke	85 mm
Max. oil pressure	413 bar
Dimensions (L x W x H)	2.240 x 870 x 2.000 mm
Weight	4.030 kg
Oil capacity	250 L
Max. swaging dies (W x H)	156 x 110 mm
With angle packing (W x H)	100 x 78 mm / 80 x 78 mm
Unloaded stroke speed (up to 1520 kN)	9,5 mm/s
Loaded stroke speed	2,6 mm/s
Reversing speed	14,3 mm/s
Operating height	1.127 mm
Stroke limit	smooth, electronic control
Automatic control	✓
Foot switch	✓
Power supply	18,5 KW / 400 V / 50 Hz

Other voltages on request!

We reserve the right to change technical data!



6.000 KN - One Column Swaging Machine



Toleranzen DIN ISO 2768-1 m		Auftrag Presse 6000kN		SAHM SPLICE
Toleranzen Schweißkonstruktion ISO 15926-B		Maßstab 1 : 10		
Material		Material		Presse 6000kN OP.S060.1001
Datum 10.12.2020 Menge 1		Name Mager		
1 2 3 4 5 6 7 8		1 2 3 4 5 6 7 8		1 2